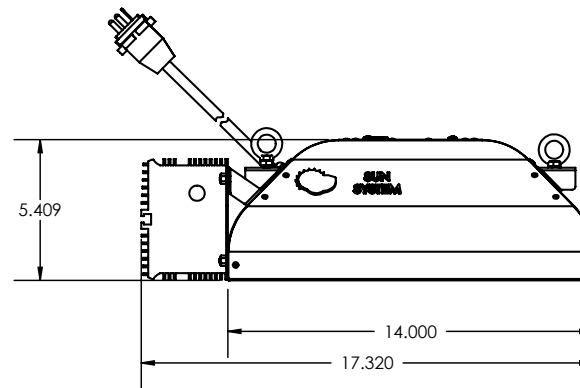
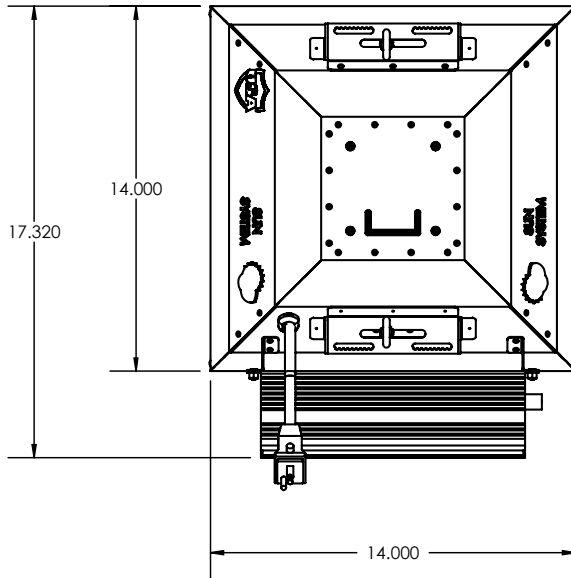
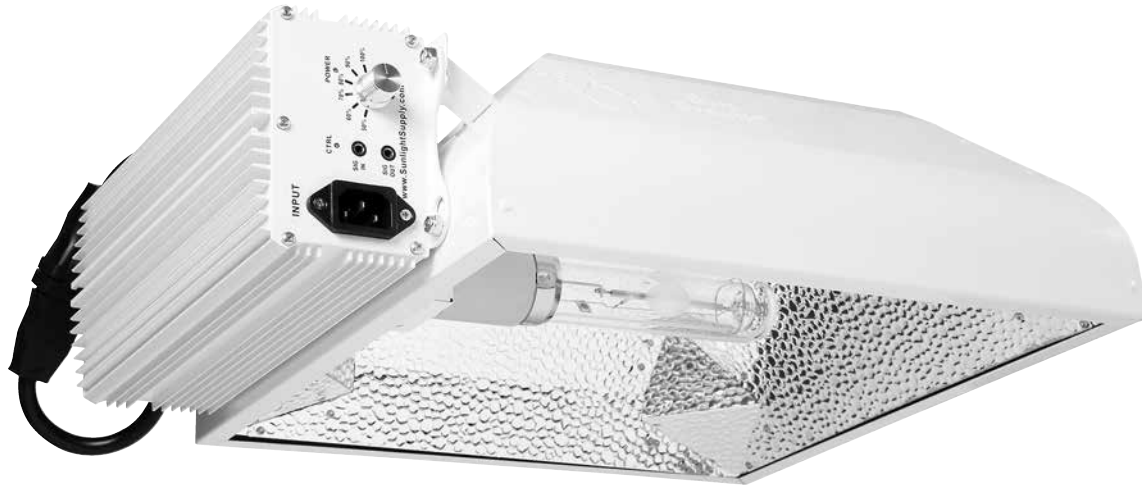


SPECIFICATIONS

Item #906620 & #906624



Sun System® 315 Watt LEC® Boss Comm 120 / 208 / 240 Volt



Sun System® ①

This document is not intended to be used for installation purposes. We cannot cover all specific applications or anticipate all requirements. All specifications are subject to change without notice.

• = yes

•	ETL LISTED
	Tested to UL Standard #1598 Tested to CSA Standard C22.2 No. 74
•	FCC CERTIFIED
•	FABRICATED IN USA*
LAMP COMPATIBILITY	
•	CDM-T LIGHT EMITTING CERAMIC® BRAND
	Lamp Wattage: 315
TRANSFORMER VOLTAGE	
•	120 / 208 / 240
	240 ONLY
	277 ONLY
AMPS AT 120V POWER: 3	
AMPS AT 208V POWER: 1.8	
AMPS AT 240V POWER: 1.42	
AMPS AT 277V POWER: N/A	
POWER SOURCE Hz: 50/60	
POWER FACTOR (cosφ): > 0.99	
AMBIENT TEMPERATURE: 40°C	
TOTAL HARMONIC DISTORTION: < 10%	
POWER CORD	
•	DETACHABLE CORD W/ 120 VOLT & 240 VOLT PLUGS
	HARD WIRED 277 VOLT w/ L7-15p TWIST LOCK PLUG
LAMP CORD RECEPTACLE COMPATIBILITY	
	DUAL UNIVERSAL
•	SUN SYSTEM ONLY
WARRANTY	
	2 YEAR
•	3 YEAR
	5 YEAR

* with US and globally sourced parts