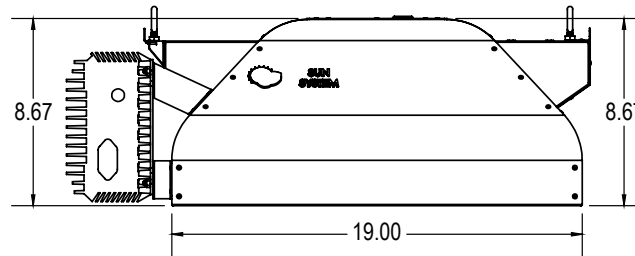
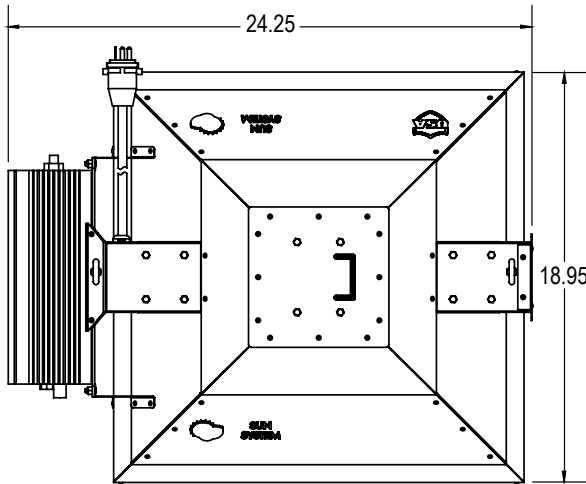


SPECIFICATIONS

Sun System® 1000 Watt DE Boss Commercial Fixture 277 Volt Item #906612



FIXTURE WEIGHT: 19.6 lbs



This document is not intended to be used for installation purposes. We cannot cover all specific applications or anticipate all requirements. All specifications are subject to change without notice.

• = yes

•	ETL LISTED
Tested to UL Standard #1598 Tested to CSA Standard C22.2 No. 74	
•	FCC CERTIFIED
•	FABRICATED IN USA*
LAMP COMPATIBILITY	
•	Double-Ended HPS and MH - Max. Wattage: 1000
LAMP POSITION	
•	HORIZONTAL
	VERTICAL
TRANSFORMER VOLTAGE	
•	277 ONLY
AMPS AT 120V POWER: N/A	
AMPS AT 240V POWER: N/A	
AMPS AT 277V POWER: 3.8	
POWER SOURCE khz: 50/60Hz	
POWER FACTOR (cosϕ): > 0.99	
AMBIENT TEMPERATURE: 50°F - 120°F	
TOTAL HARMONIC DISTORTION: < 10%	
POWER CORD	
	DETACHABLE CORD W/ 120 VOLT & 240 VOLT PLUGS
•	HARD WIRED 277 VOLT w/ L7-15p TWIST LOCK PLUG
	HARD WIRED 480 VOLT w/ L8-20p TWIST LOCK PLUG
LAMP CORD RECEPTACLE COMPATIBILITY	
	DUAL UNIVERSAL
•	SUN SYSTEM ONLY
•	600 VOLT RATED CORD
WARRANTY	
	2 YEAR
•	3 YEAR
	5 YEAR

* with US and globally sourced parts