

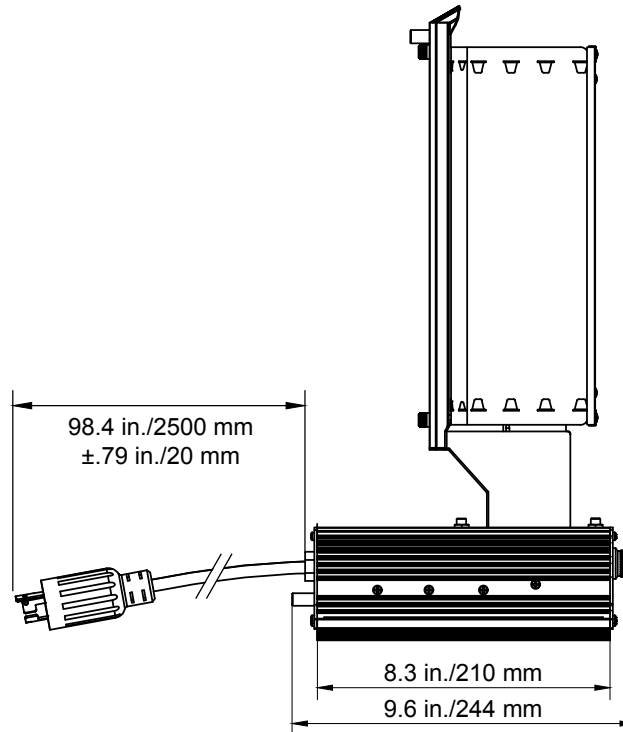
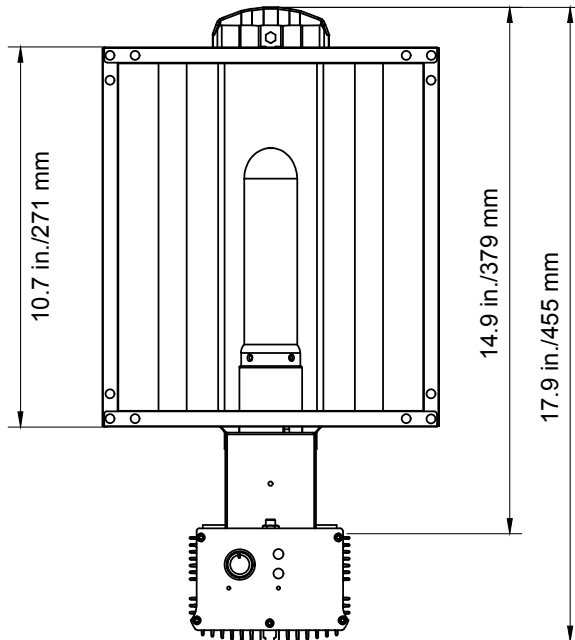
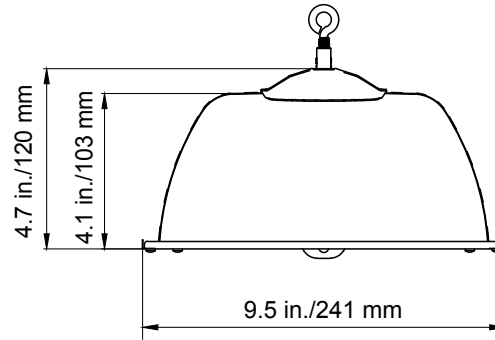
SPECIFICATIONS

Sun System® Pro Sun™ LEC 315 – 347 Volt

Item #906287



• = yes



•	ETL LISTED
Tested to UL Standard #1598 Tested to CSA Standard C22.2 No. 250	
•	3 YEAR WARRANTY
VOLTAGE	
•	347 V
AMPS AT 347V POWER: 1.0 A	
POWER SOURCE: 50/60 Hz	
OUTPUT FREQUENCY: 160 Hz	
POWER FACTOR (cosφ): > 0.97	
MAX AMBIENT TEMP: 104° F (40° C)	
TOTAL HARMONIC DISTORTION: < 10%	
ATTACHED POWER CORD	
•	ATTACHED 347 V w/ L24-20P
LAMP COMPATIBILITY	
•	ANSI C182/O
Max. Wattage: 315 W	
LAMP POSITION	
•	HORIZONTAL
	VERTICAL
LAMP SOCKET TYPE	
•	INTEGRATED 4KV PGZX BASE

906287 SunSystem® LEC315_347V Spec-Sheet- Last Updated 03/27/2019



This document is not intended to be used for installation purposes. We cannot cover all specific applications or anticipate all requirements. All specifications are subject to change without notice.