

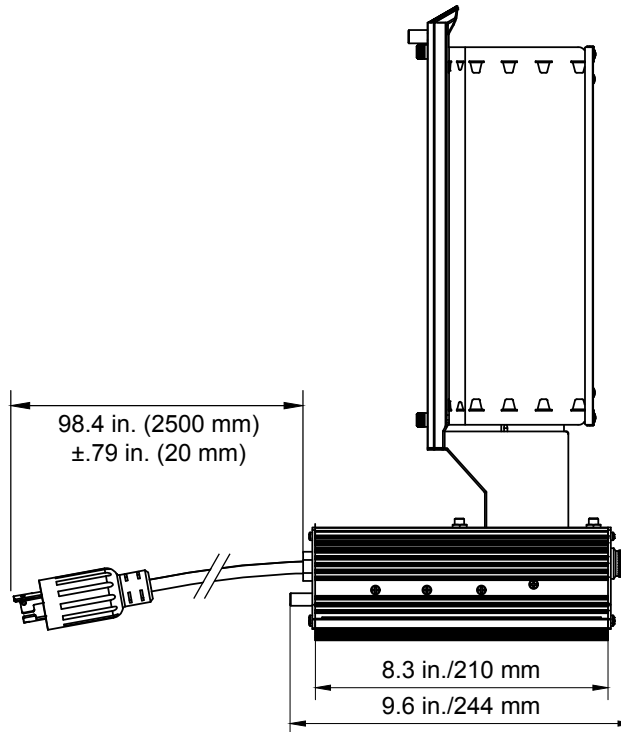
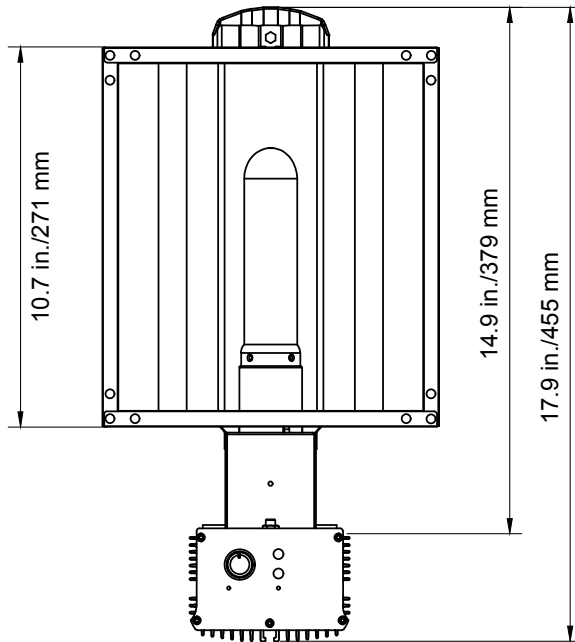
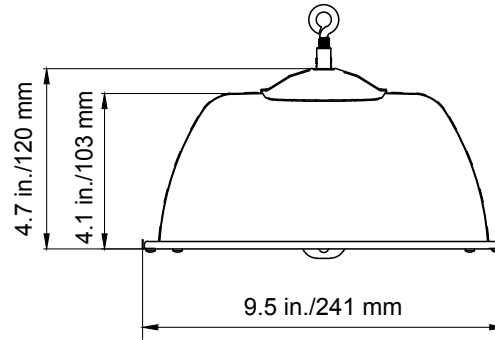
SPECIFICATIONS

Sun System® Pro Sun™ LEC 315 – 277 Volt

Item #906248



• = yes



•	ETL LISTED
Tested to UL Standard #1598 Tested to CSA Standard C22.2 No. 250	
•	3 YEAR WARRANTY
VOLTAGE	
•	277 V
AMPS AT 277V POWER: 1.3 A	
OUTPUT FREQUENCY: 160 Hz	
POWER FACTOR (cosφ): > 0.97	
MAX AMBIENT TEMP: 104° F (40° C)	
TOTAL HARMONIC DISTORTION: < 10%	
POWER CORD	
•	ATTACHED 277 V w/ L7-15P
LAMP COMPATIBILITY	
•	ANSI C182/O
Max. Wattage: 315 W	
LAMP POSITION	
•	HORIZONTAL
	VERTICAL
LAMP SOCKET TYPE	
•	INTEGRATED 4KV PGZX BASE

906248 SunSystem® LEC315 277V Spec-Sheet- Last Updated 03272019