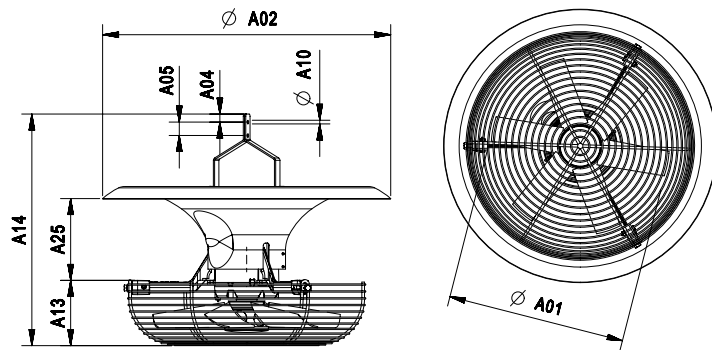




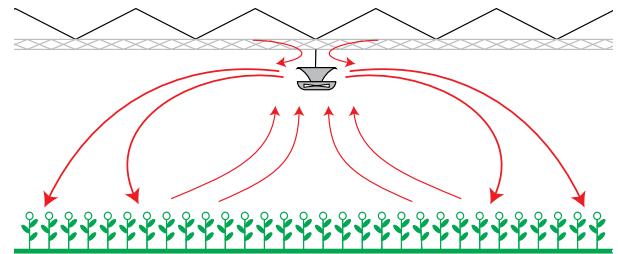
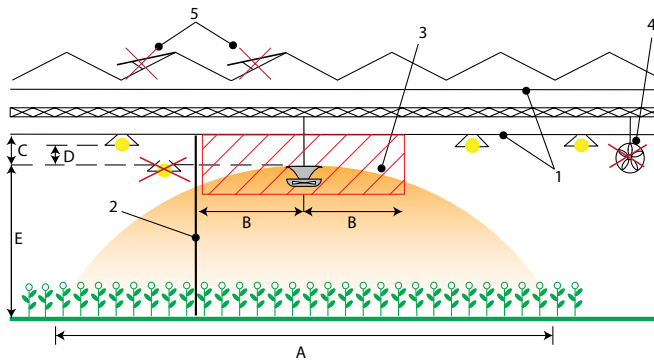
Dimensions



Dimensions (mm)								
mm	A01	A02	A04	A05	A10	A13	A14	A25
400	420	650	18	30	8	146	539	182

Dimensions packaging (mm)
720 x 720 x 400

Installation



Legenda

A	+/- 18 m	1	Screens
B	Minimal 2 m	2	Pillar
C	Minimal 0,5 m	3	No obstacles within a range of 2 m from the fan
D	> 0 m	4	Do not combine horizontal fans with the V-FloFan
E	For optimal results we recommend a maximum installation height of 5m	5	Other air flows can influence the effect of the V-FloFan

Technical data

Power supply			(n) RPM	Item number	I _{nom} (A)	P _{in} (W)	Qv at 0 Pa (m3/h)	Controllability*	L _{pa} dB (A)**
1~	230V	50Hz	950	T6E40A2M81160	1,0	165	5050	E/T	45
1~	240V	60Hz	1130	T6E40K0M81160	0,9	205	5200	E/T	47
1~	120V	60Hz	1140	T6E40K1M81160	2,0	215	5200	E/T	47
3~	230/400V	50Hz	955	T6D40A0M81160	0,9 / 0,5	155	5050	T	45
3~	240/420V	60Hz	1135	T6D40K2M81160	0,8 / 0,45	190	5200	T	47
3~	265/460V	60Hz	1145	T6D40K3M81160	0,9 / 0,5	200	5300	T	47

* Controllable Electronically (E), by Transformer (T) or by Frequency (F)

** Sound pressure level measured at 7 meters free blowing distance