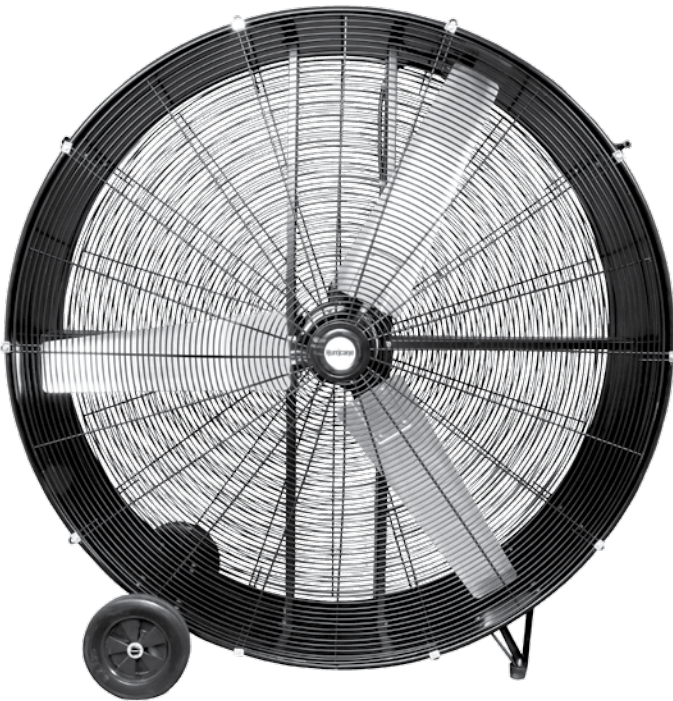


# Hurricane®

## 36" / 48" HIGH VELOCITY METAL DRUM FAN

Product  
#736479  
#736481

### OWNER'S MANUAL



**READ AND SAVE THESE INSTRUCTIONS**

Note: Pictures in the manual are for reference only.

HIGH VELOCITY

## TECHNICAL SPECIFICATIONS

ITEM NO.	SIZE	VOLTS/Hz	CURRENT (A)	CFM	RPM
736479	36"	120V/60Hz	5.3	16090	825
736481	48"	120V/60Hz	8.7	20880	850

## CAUTION

Read instructions carefully for safe operation.

## SAFETY INFORMATION

### WARNING

1. Unplug the fan before moving it or performing maintenance.
2. DO NOT touch the fan when your hands are wet.
3. Those who are not qualified electricians should not disassemble, repair or rebuild the fan.
3. Unplug the fan when it is not in use.
4. DO NOT unplug the fan by holding the cable cord. Unplug by holding the plug.
5. DO NOT use the fan when there is damage to the cable cord or plug.
6. DO NOT use the fan with extension cord.
7. DO NOT use the fan close to fire.
8. DO NOT insert your hand or other objects into the guard or the movable parts.
9. To reduce the risk of fire or electric shock, do not use this fan with any solid-state speed control device.
10. If the supply cord is damaged, it has to be replaced by the manufacturer, its service agent or similarly qualified persons in order to avoid hazard.
11. DO NOT use this fan outdoor.

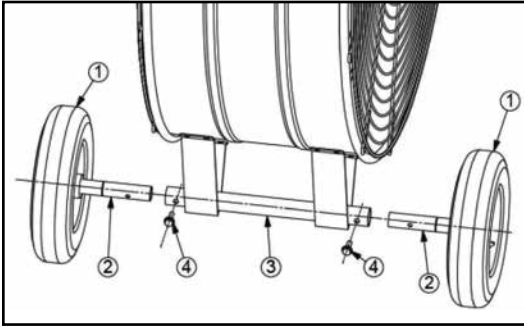
### CAUTION

1. Unplug the fan from the socket and clean it with a soft cloth.
2. DO NOT immerse the fan.
3. Fit the guard onto fan before starting up the fan.
4. This fan is not intended for use by people (including children) with reduced physical, sensory or mental capabilities or lack of experience and knowledge unless they have been given supervision or instruction concerning use of the fan by a person responsible for their safety. Supervise children to ensure they do not play with the fan.

## CARE AND MAINTENANCE

Unplug the appliance before cleaning. Don't use any water for cleaning metal surfaces. Slightly moisten a cloth and then wipe off the surfaces of the fan. In order to remove the dust from the grill, use a vacuum cleaner or remove the front grill by removing the securing screw on the edge of the grill with a screwdriver. After cleaning, remount the grill. After doing this, fasten the securing screw on the edge of the grill.

## WHEELS ASSEMBLY INSTRUCTIONS

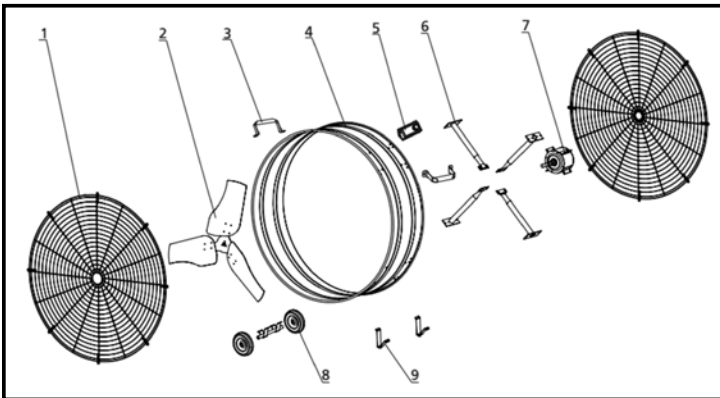


1. Slide the two wheels ① with wheel shaft ② into the wheel shaft on the support ③.
2. Tighten the screws ④ to firm the wheel shaft ②.

## OPERATING INSTRUCTIONS

1. Place the fan on a safe, flat surface where it can not fall or be pulled by the cord.
2. Plug unit into electrical outlet.
3. Select preferred speed (1-Low, 2-High) by rotating or pressing the switch knob or button on the control box.
4. Always turn off and unplug fan after using.

## PARTS DIAGRAM



## PARTS LIST

PART NO.	DESCRIPTION	QUANTITY
1	Grill	2
2	Blade	1
3	Handle	2
4	Drum body	1
5	Switch box	1
6	Motor supporter	1
7	Motor	1
8	Wheel	2
9	Supporting feet	2

# Hurricane<sup>®</sup>

## 36 /48" HIGH VELOCITY METAL DRUM FAN

**PRODUCT**  
**#736479**  
**#736481**

Use a "QR Code App" on your smart phone to access our website and  
browse our entire product offering or go to"

**[www.hurricane-fans.com](http://www.hurricane-fans.com)**



Exclusively distributed by:



Sunlight Supply, Inc.

**INNOVATING**  
**SINCE**  
**1995**

[SunlightSupply.com](http://SunlightSupply.com)